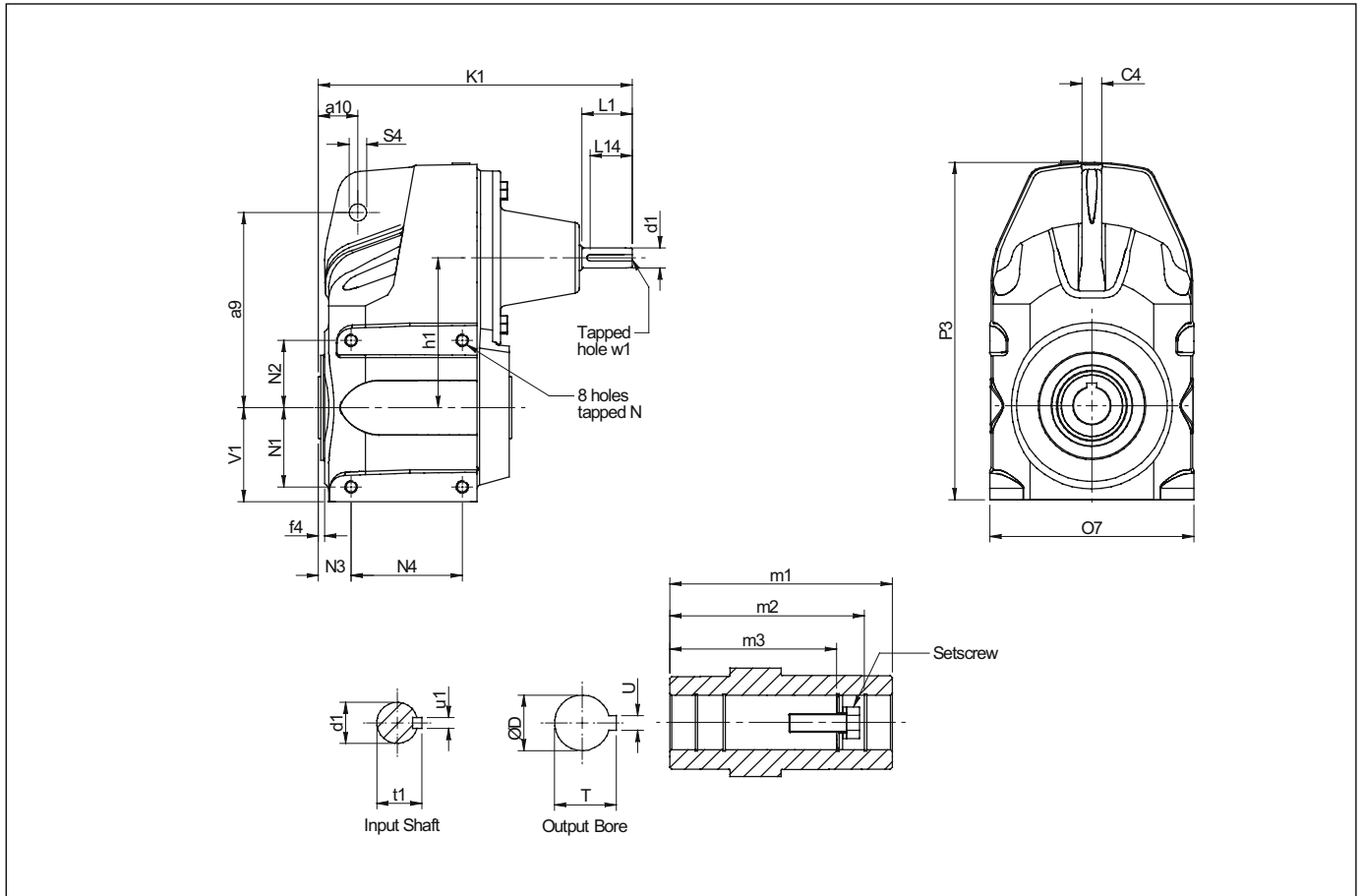


Fenner Series F Reducer Dimensions



Unit Size	Reduction	a9	a10	C4	f4	h1	K1	O7	P3	S4	V1
780	Double	140	25	15	5	96	231	150	224	15	59
	Triple						246				
781	Double	158	32	16	5	121	252	171	273	15	76
	Triple						265				
782	Double	170	32	16	5	121	252	171	273	15	76
	Triple						265				
783	Double	198	41	16	5	144	288	206	318	15	80
	Triple						296				
784	Double	218	41	16	6	165	299	231	365	15	101
	Triple						307				
785	Double	278	50	20	7	200	337	282	442	24	127
	Triple						349				
786	Double	346	62	26	3	243	418	346	536	24	156
	Triple						403				
787	Double	395	70	30	5	274	491	400	612	27	175
	Triple						493				
788	Double	485	88	36	5.5	332	576	470	748	27	216
	Triple						578				

Unit Size	Reduction	Input Shaft						
		d1 (k6)	L1	L13	L14	t1	u1	w1
780	Double	16	40	4	32	18	5	M5x12
	Triple	16	40	4	32	18	5	M5x12
781	Double	16	40	4	32	18	5	M5x12
	Triple	16	40	4	32	18	5	M5x12
782	Double	16	40	4	32	18	5	M5x12
	Triple	16	40	4	32	18	5	M5x12
783	Double	19	40	4	32	21.5	6	M6x16
	Triple	16	40	4	32	18	5	M5x12
784	Double	19	40	4	32	21.5	6	M6x16
	Triple	16	40	4	32	18	5	M5x12
785	Double	24	50	5	40	27	8	M8x19
	Triple	19	40	4	32	21.5	6	M6x16
786	Double	28	60	5	50	31	8	M10x22
	Triple	24	50	5	40	27	8	M8x19
787	Double	38	80	5	70	41	10	M12x28
	Triple	28	60	5	50	31	8	M10x22
788	Double	42	110	10	70	45	12	M16x36
	Triple	38	80	5	70	41	10	M12x28

Unit Size	Hollow Output Bore					
	D	m1	m2	m3	T	U
780	25	117.5	105	89	29	8
781	30	156.5	122	105	33.5	8
782	35	156.5	132	122	38.5	10
783	40	179	174	142	43.5	12
784	40	205	174	156	43.5	12
785	50	233.5	198	183	54	14
786	60	270	230	210	64.6	18
787	70	330	270	-	75	20
788	80	370	313	-	85.5	22